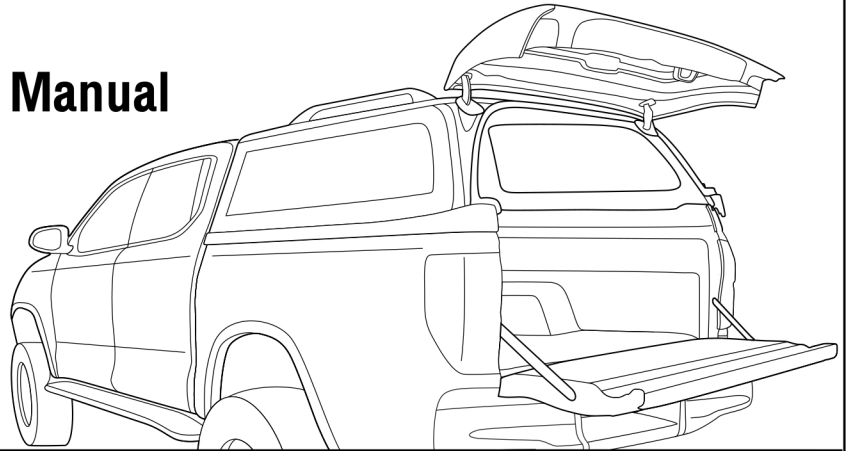


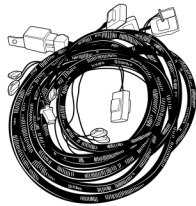


## Electric Lock Installation Manual EBW Version 2.0

### SUV-Plus V4

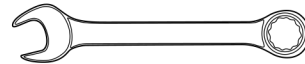


#### Canopy Wire set

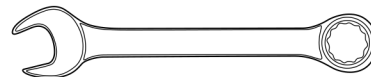


C1: Harness Central  
Lock No.38

#### Require Tool



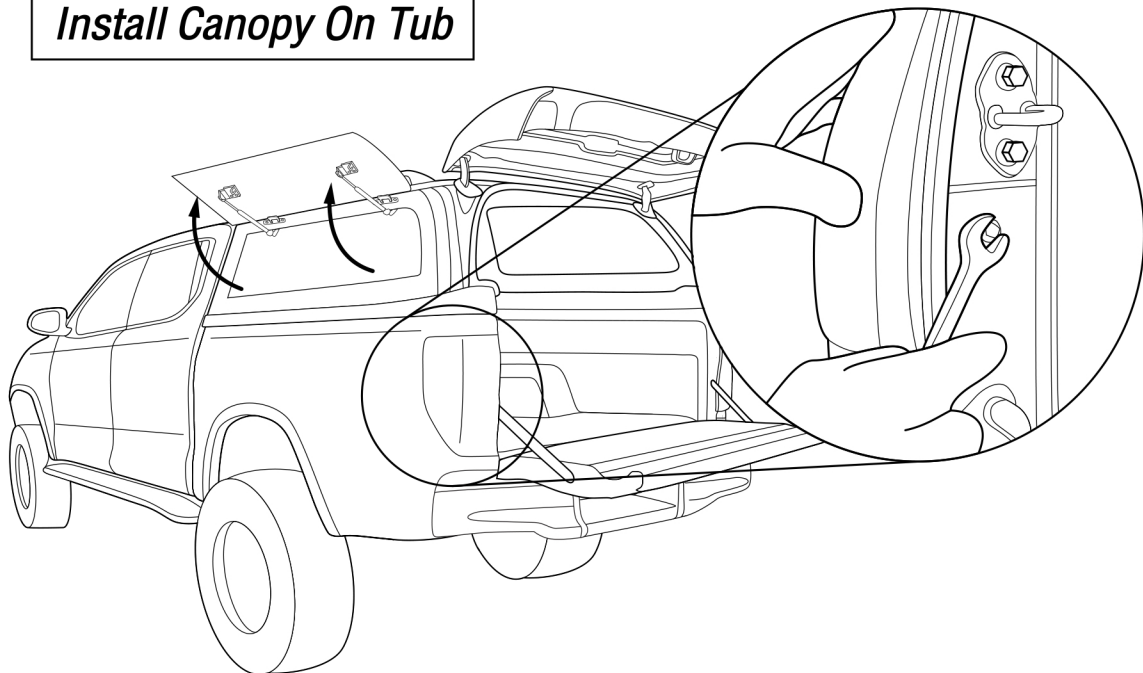
T1 : 10 mm. Wrench



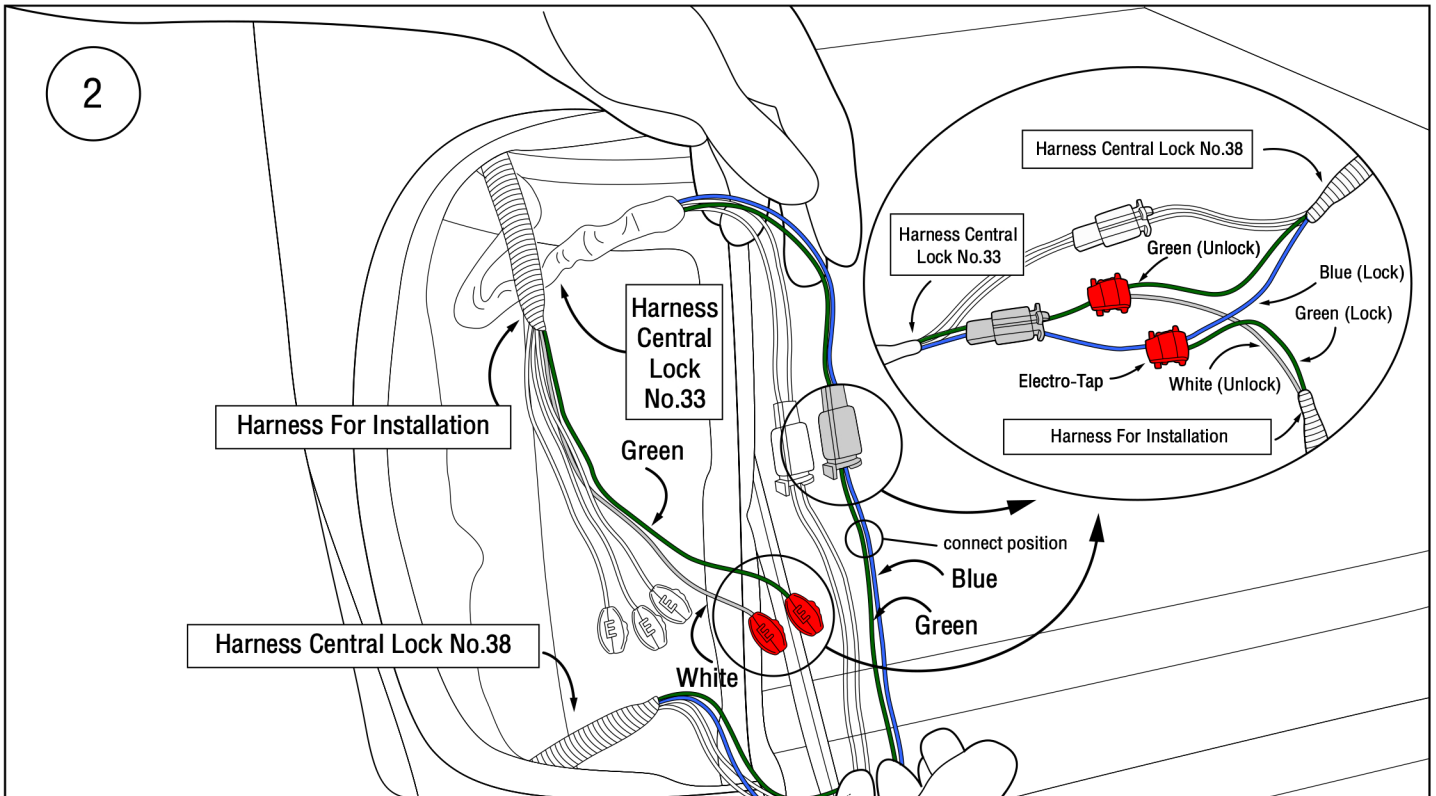
T2 : 19 mm. Wrench

1

#### Install Canopy On Tub

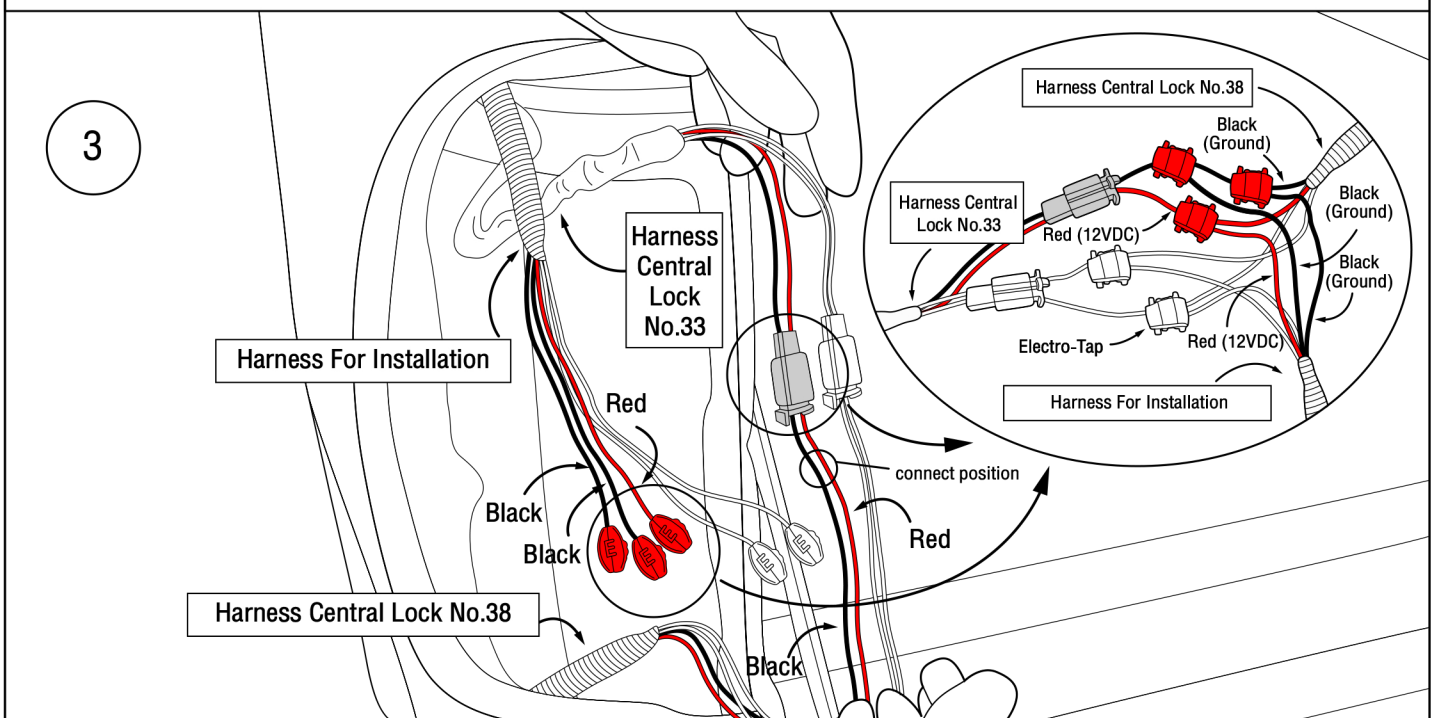


After connects all the Electric lock wiring, then take off the rear light cover by using wrench no.10 loosen the nuts.



Bring White Wiring (Unlock) of the Harness for installation wiring set connects with the Green Wiring (Unlock) of the Harness Central Lock No.38 wiring set by using the ELECTRO-TAP (Red Colour).

Bring Green Wiring (Lock) of the Harness for Installation wiring set connects with the Blue Wiring (Lock) of the Harness Central Lock No.38 wiring set by using the ELECTRO-TAP (Red Colour).

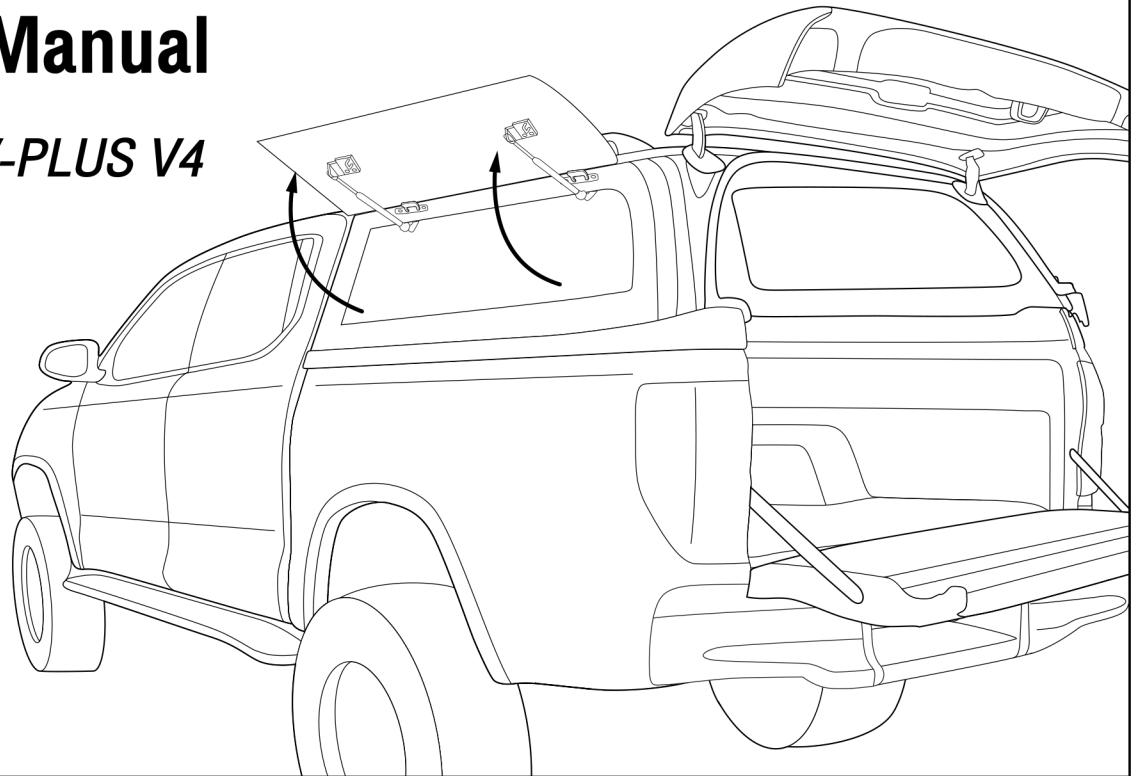


Bring the Red Wiring (12VDC) of the Harness for Installation wiring set connects with the Red Wiring (12VDC) of the Harness Central Lock No.38 wiring set by using the ELECTRO-TAP (Red Colour).

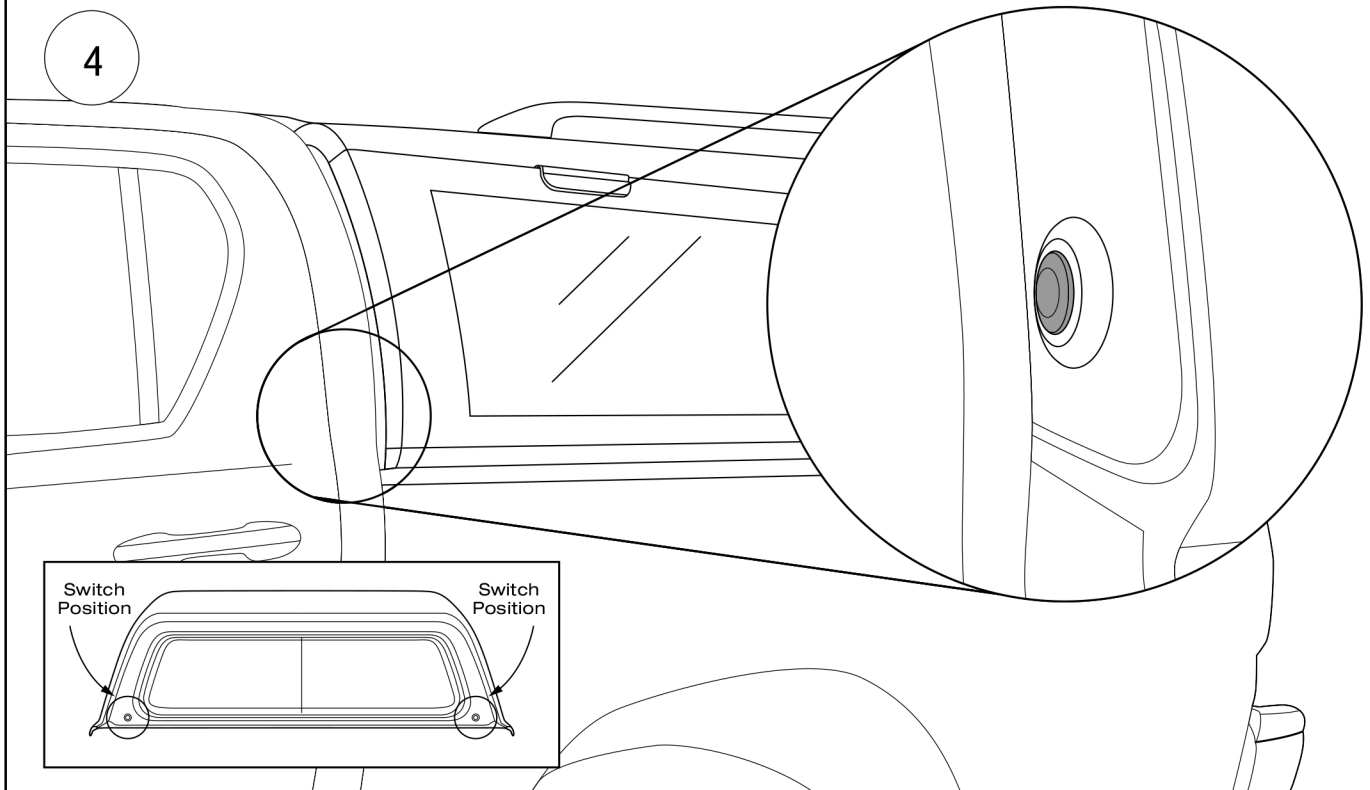
Bring the two Black (Ground) wiring of the Harness for installation set to connect with the Black (Ground) wiring of the Harness Central Lock No.38 set by using the ELECTRO-TAP (Red Colour).

# User Manual

## *SUV-PLUS V4*



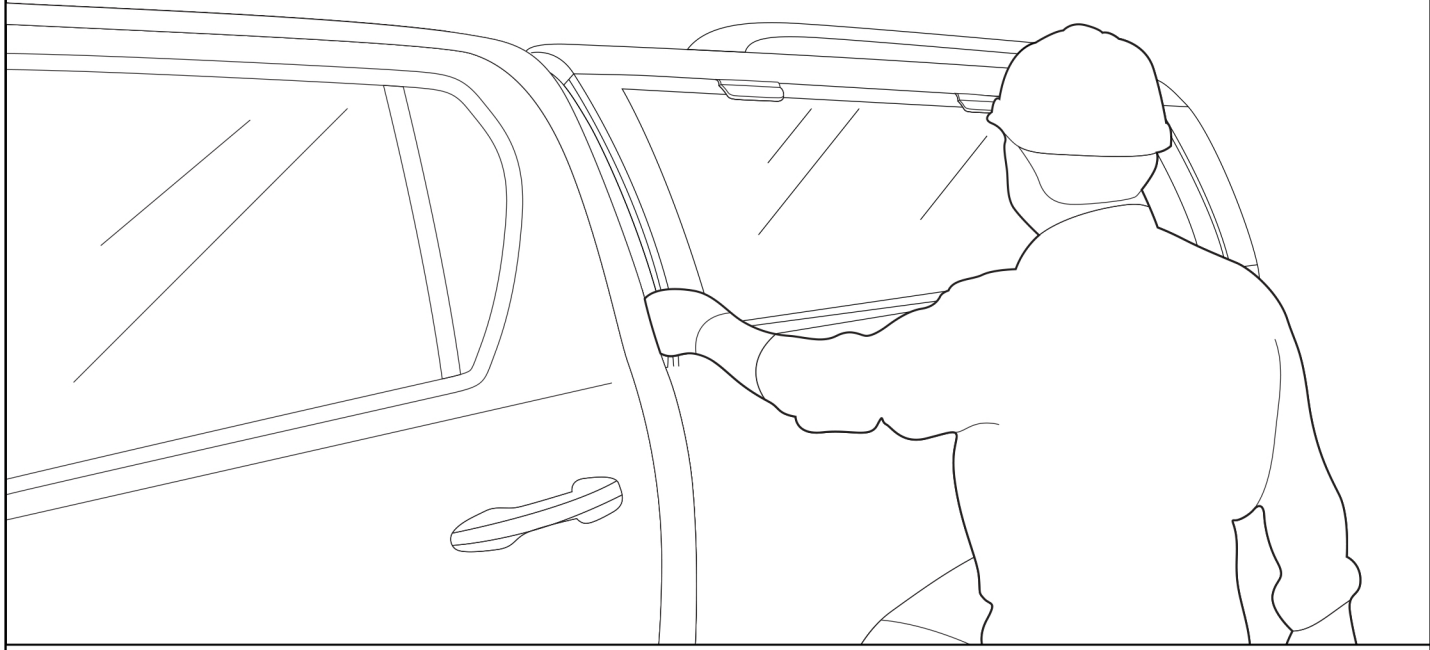
Instructions for using the Electric Lock.



The picture shows Electric Lock switch button positions.

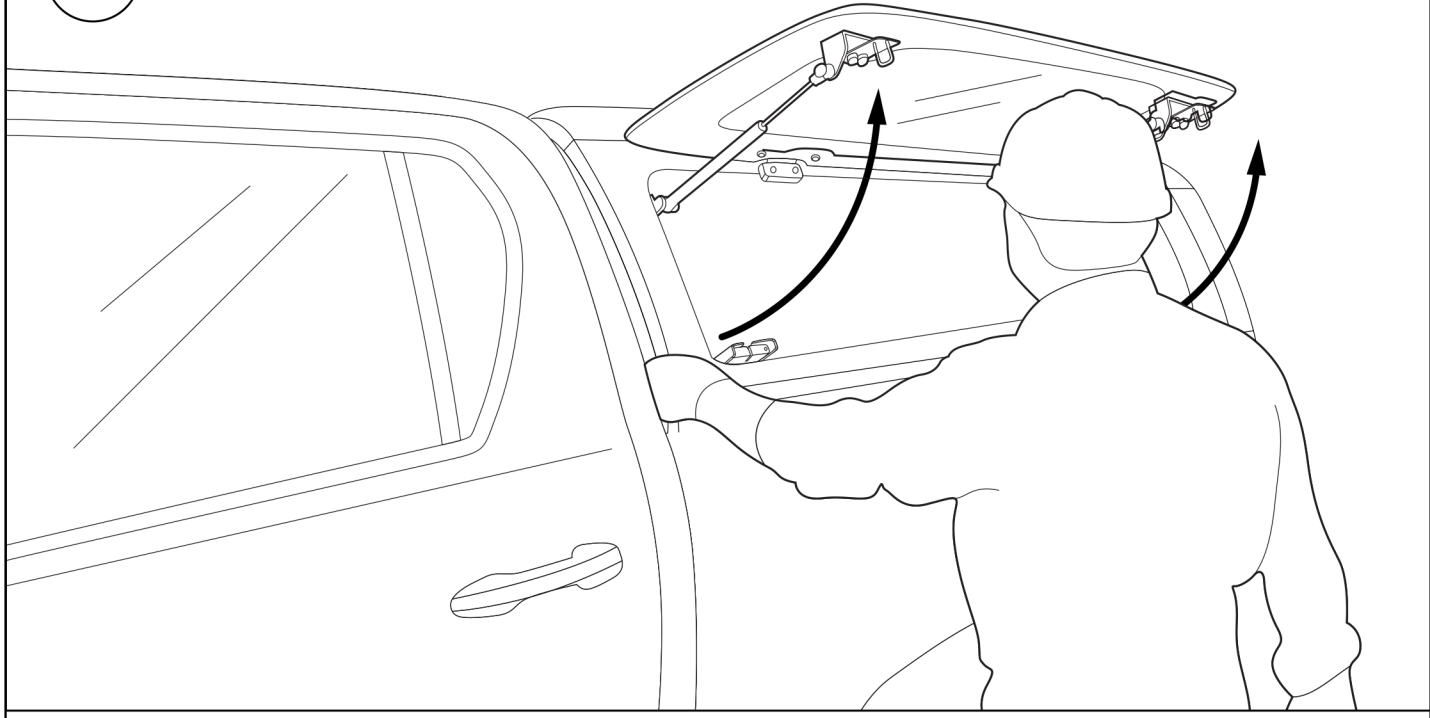


5



The picture shows the usage of Electric Lock button.

6

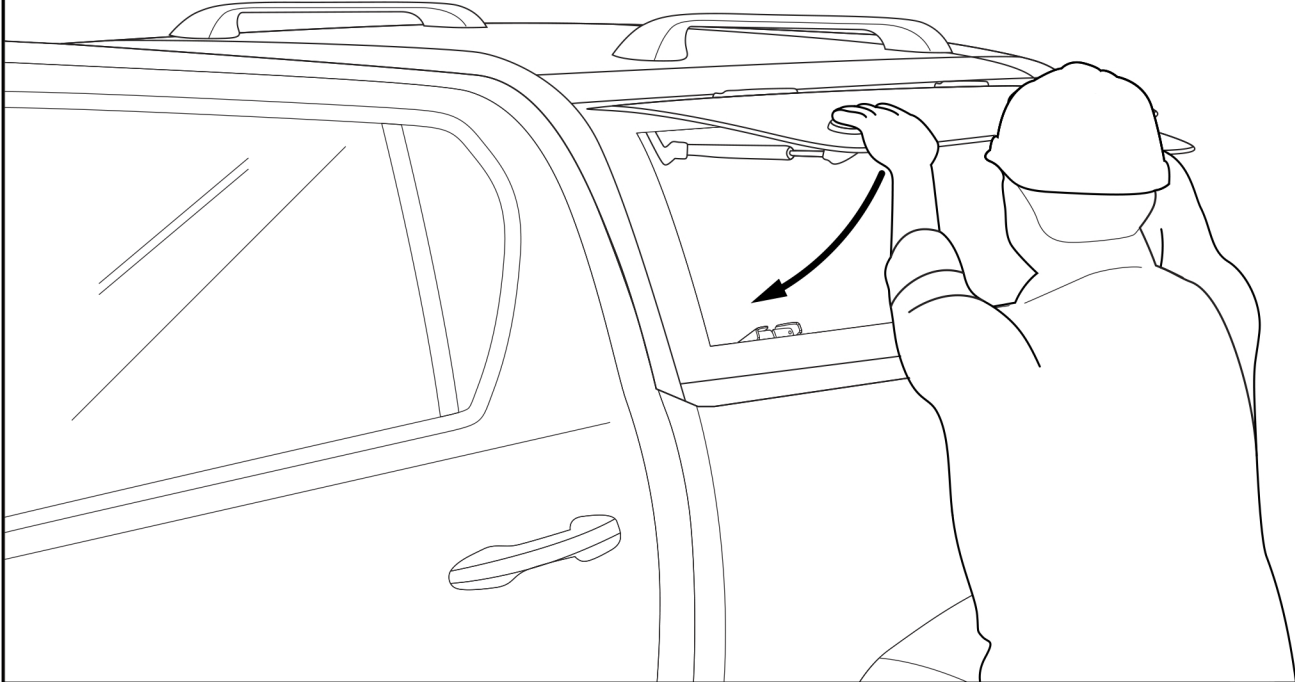


When push the Electric Lock button, the window will open as shown in picture.



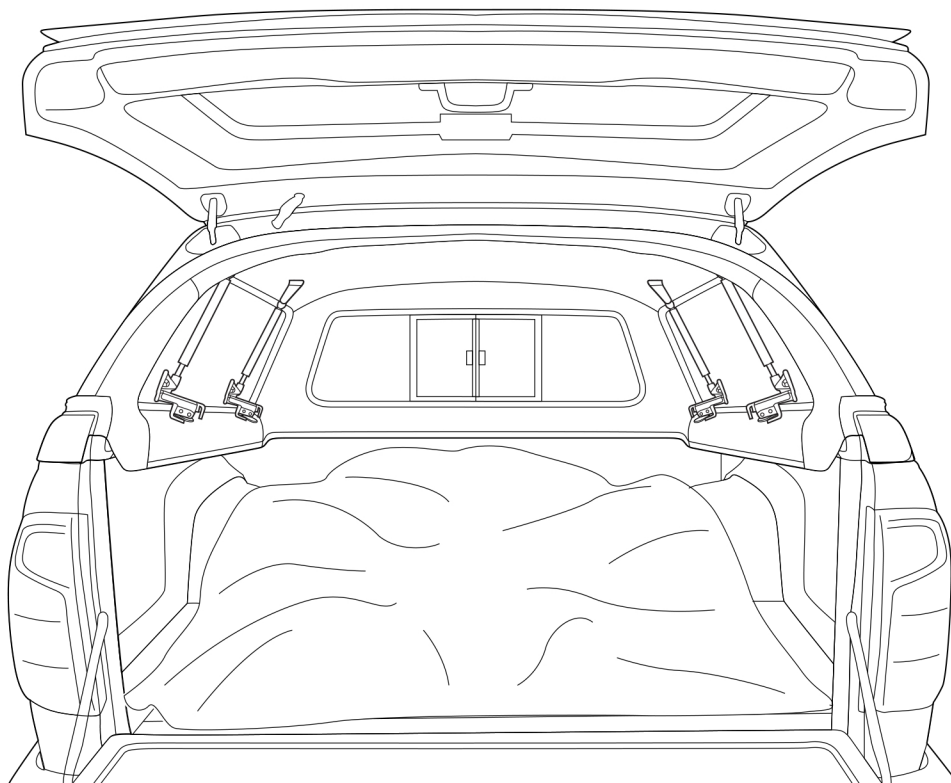


7



The picture shows the Electric Lock, window will be close.

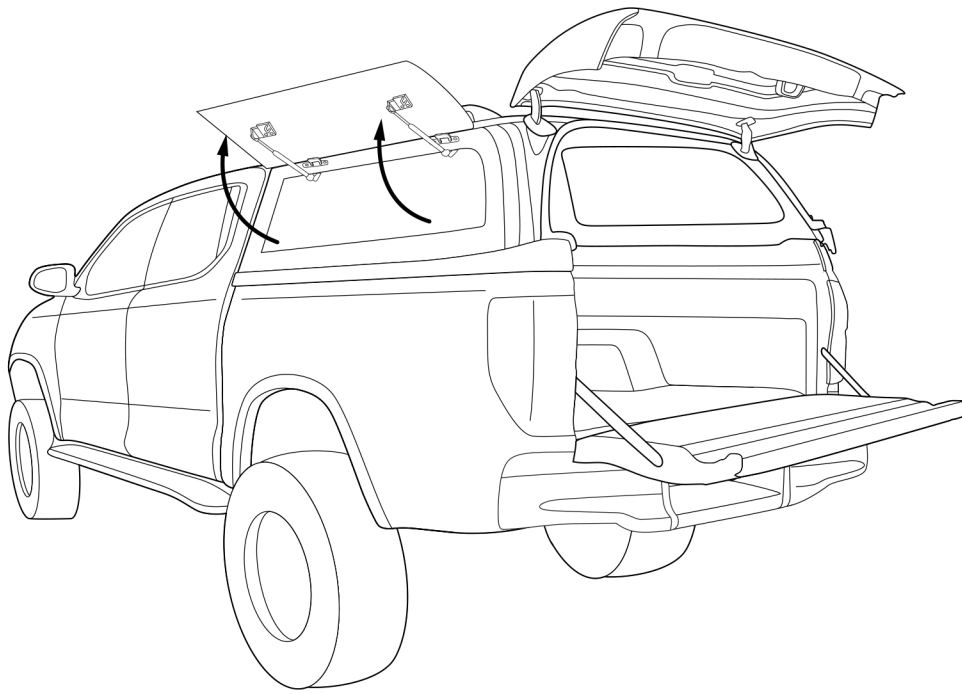
8



The picture shows the Electric Lock and Control Box position.



9



Complete the Electric Lock system.